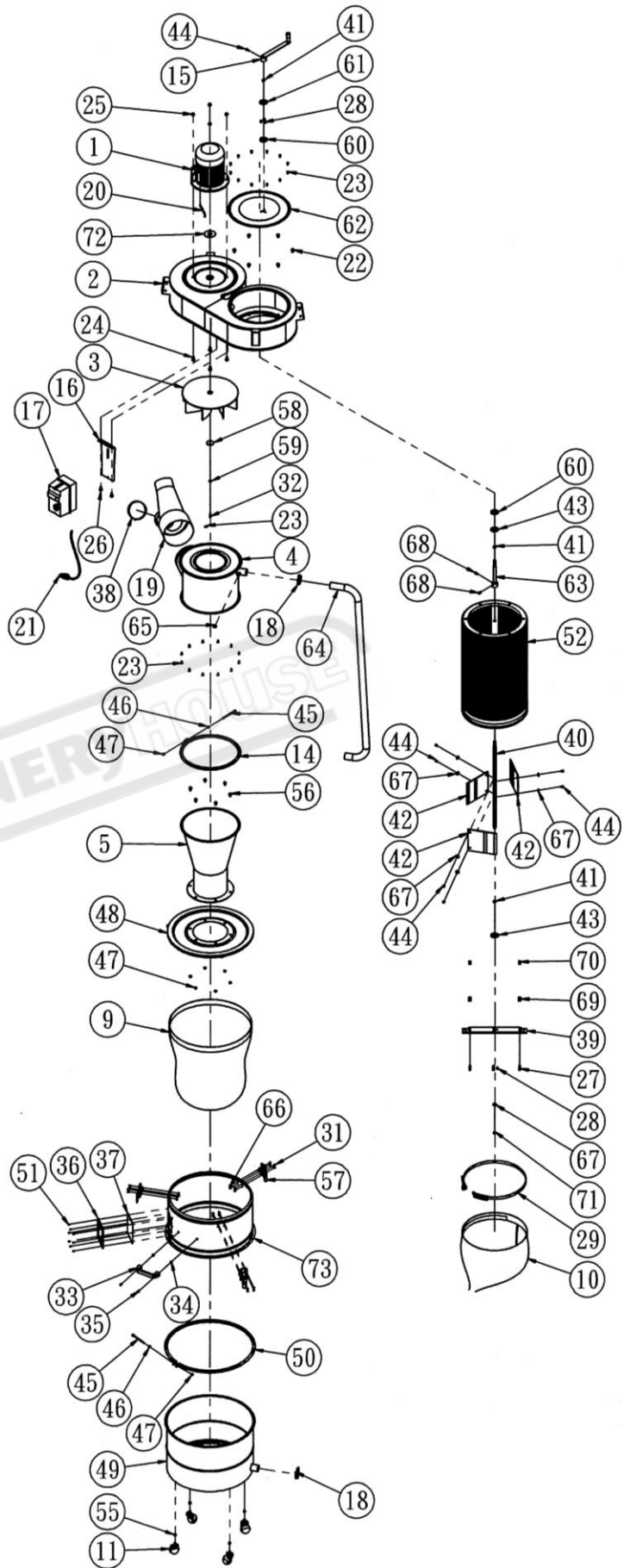
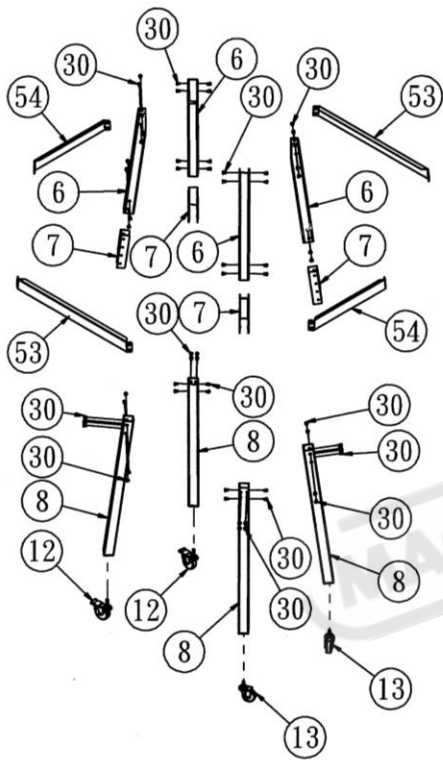


T-2000CK-200H(A72)



Part List

No.	Description	Q'TY	No.	Description	Q'TY
1	Motor	1	38	Inlet cap 4"	1
2	Main housing	1	39	Lower Fixing Plate	1
3	Impeller 12-3/4"	1	40	Main Spindle	1
4	Round Collector	1	41	Bearing	3
5	Reducing Collector	1	42	Rubber Flapper	3
6	Upper Leg	4	43	Bearing Fixing Plate	2
7	Connecting Tube	4	44	Hex bolt M6x16	7
8	Lower Leg	4	45	Phillip Round HD Screw 1/4"x4"	2
9	PE bag	1	46	Washer 1/4"*13	2
10	PE bag (small)	1	47	Flange nuts 1/4"	8
11	Caster 2"	4	48	Drum lid	1
12	Wheel 3"	2	49	Lower Drum	1
13	Wheel 3"	2	50	Belt clamp 525	1
14	Barrel clamp 347	1	51	Rivet	8
15	N type handle	1	52	Canister filter	1
16	Switch plate	1	53	Long Brace	2
17	Magnetic Switch 2hp	1	54	Short Brace	2
18	Hose Clamp 1-3/4"	2	55	Nuts 5/16"	4
19	Inlet	1	56	Flange screw 1/4"*1/2"	6
20	Moror cord	1	57	Clip	3
21	wire	1	58	Impeller washer	1
22	Flange bolt 5/16"*1/2"	6	59	Spring washer	1
23	Phillip Round screw 3/16"*1/2"	25	60	Rubber Pad	2
24	Flange bolt 5/16"*3/4"	4	61	Bearing Fixing Plate(No Thread)	1
25	Domed nuts 5/16"	4	62	Housing Cover	1
26	Flange screw 5/16"*3/4"	2	63	Connecting Spindle	1
27	Phillip Round HD Screw M5*15mm	4	64	Hose 1-1/2"	1
28	Phillip Round HD Screw M5*10mm	6	65	Hose clamp 3/4"	1
29	Belt clamp	1	66	Lock nuts M4	12
30	Button HD Screw 5/16"*1/2"	64	67	Flat washer 1/4"*18	7
31	Round HD Screw M4*8mm	12	68	Cap screw M6*12	2
32	Cap screw M6*16	1	69	Meter Fixing Plate	2
33	Plastic handle	1	70	Nuts M5	4
34	Nuts 1/4"	2	71	Phillip Round HD Screw M6*10	1
35	Phillip Round Truss Head Screw 1/4"*4"	2	72	Motor Packing	1
36	Square Pad	1	73	Upper Drum	1
37	PC board	1			